

- up to 30 bar
- EXTRA LARGE THROUGH HOLE Ø 165 - 204 mm
- stroke control via proximity switch

Application/customer benefits

- Actuation of EXTRA LARGE THROUGH HOLE power chucks
- Clamping of very big and long components

Technical features

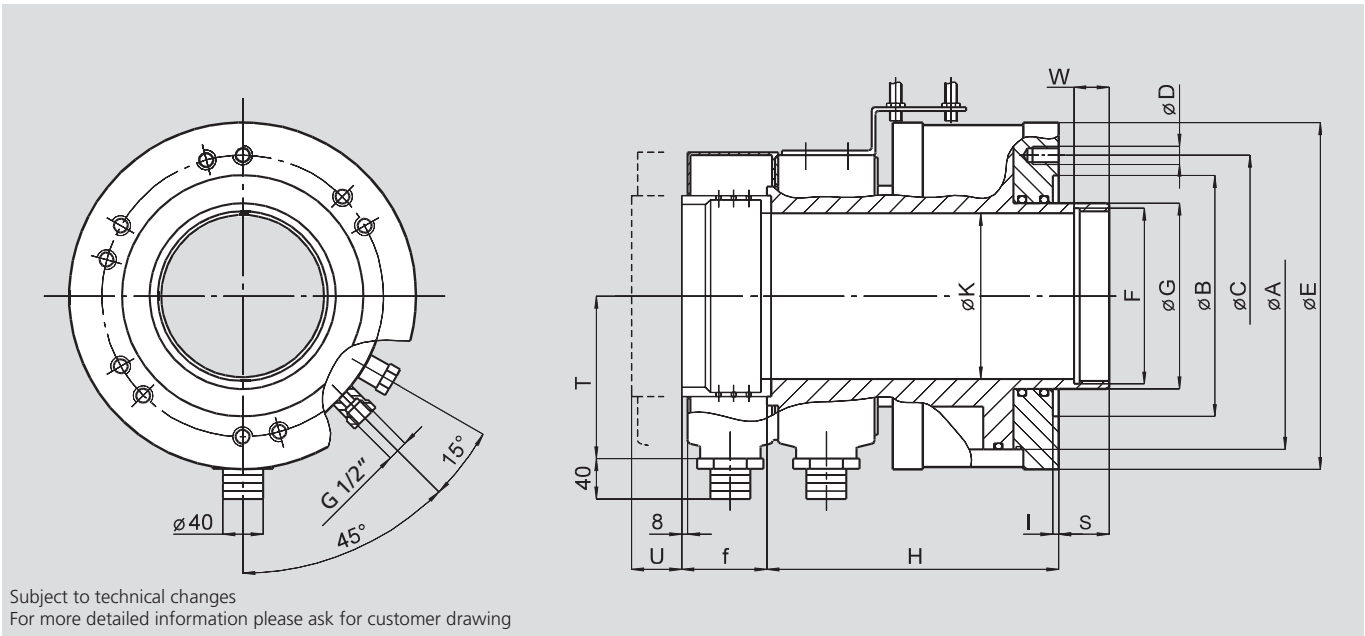
- Short design/low mass/low power consumption
- Pressure range 8–30 bar
- EXTRA LARGE THROUGH HOLE
- Horizontal installation only
- Mounting from the front side into tapped holes
- A 10 µm filter in pressure line is requested
- Use oil HM32 ISO 3448

Standard equipment

Open center hydraulic cylinder with coolant collector CP1
Bracket for proximity switches (for stroke control)
Without proximity switch and mounting bolts

Ordering example

Open center hydraulic cylinder VSG 450-165
or
Open center hydraulic cylinder VSG 550-205



Dimensions

SMW-AUTOBLOK Type	Id. No.	A	B	C	D	E	F	G	H	I	K	S	T	U	W	f
		mm	mm	mm	mm	mm	mm	mm	mm	mm	mm	mm	mm	Stroke mm	mm	mm
VSG 450-165	33094130	305	240	280	6 x M16	345	M175 x 3	185	290	6	165	50	162	51	35	85
VSG 550-205	33094135	350	280	320	6 x M20	390	M215 x 3	228	314	6	204	50	200	51	35	85

Technical data

SMW-AUTOBLOK Type	Piston area		Max. pressure bar	Draw pull (at 25 bar) kN	Oil * leakage dm ³ /min.	Max. speed r.p.m.	Weight kg	Moment of inertia kg·m ²
	Pull cm ²	Push cm ²						
VSG 450-165	460	350	30	115	9	2000	100	1.4
VSG 550-205	550	405	30	137	10	1600	135	2.4

*Total at 30 bar / 50 °C / max. speed / oil HM32 ISO 3448

Important: On higher pressure the leakage increases proportionally. On higher oil temperature the leakage increases over proportionally (the use of an oil cooler is recommended). When designing/checking the hydraulic unit please ask for our data sheets.