

# M2-PB M4-PB

Multiple fixture with 2 chucks

Multiple fixture with 4 chucks

Multiple chucks on fixture, pneumatic  
 $\varnothing$  130 - 315 mm

- 2 or 3 jaws (PB-D/PB-M)
- 3 jaws (PB-C)



## Application/customer benefits

- For milling machines/machining centers to clamp and machine multiple pieces

**M2-PB:** Multiple fixture with 2 chucks type PB-D, PB-C or PB-M

**M4-PB:** Multiple fixture with 4 chucks type PB-D, PB-C or PB-M

## Technical features (more features on chucks see page 314)

- The basic model needs separate circuits to operate the chucks singularly
  - 1st option:** SAB safety unit with non-return valve for every chuck
  - 2nd option:** single non-return valve to operate all chucks simultaneously, with coupling unit to repressurize the fixtures after the storage of the pallets
  - 3rd option:** every chuck can be equipped with a spring loaded clamping unit (internal or external clamping), to hold the workpieces during the pallet transfer

## Standard equipment

Multiple chuck on fixture  
 1 set of soft blank top jaws and  
 1 set T-nuts with bolts (PB-C excluded)  
 Grease gun

## Ordering example

Multiple chuck on fixture  
 M2-PBC 250 (3 jaws)  
 or  
 Multiple chuck on fixture  
 M4-PBD 165 (2 jaws)

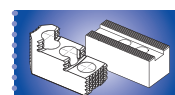
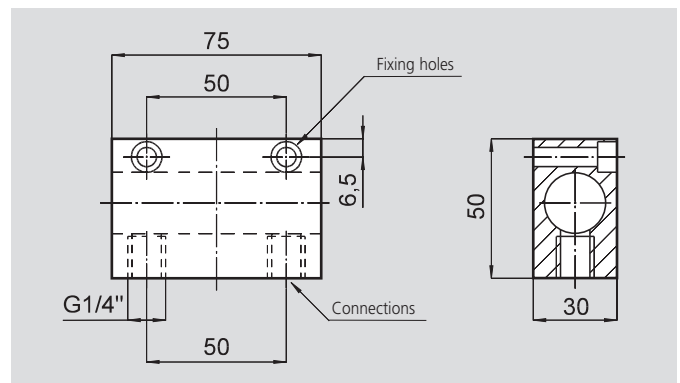
## Technical data

SMW-AUTOBLOK Type		M2-PB 130 M4-PB 130	M2-PB 165 M4-PB 165	M2-PB 210 M4-PB 210	M2-PB 250 M4-PB 250	M2-PB 315 M4-PB 315
Chucks radial jaw stroke	mm	3.2	3.6	4.4	5	6.3
Chucks radial jaw stroke PBL-D2 (2 jaws)*	mm	6	6.8	8.4	9.7	12
Actuating cylinder piston area	cm <sup>2</sup>	82	143	236	358	548
Max. operating pressure	bar	7	7	7	7	7
Chucks gripping force at 6 bar	kN	14	24	42	64	98
Chucks gripping force at 6 bar PBL-D2 (2 jaws)*	kN	9	16	26	39	60
M2-PB. weight (without top jaws)	kg	29.5	49	83	121	172

\*The 2 jaw fixture is available with serrated master jaws (inch or metric) and long stroke only.

**Option for the M2-PB and M4-PB fixtures**  
**Safety unit that maintains a constant pressure inside the cylinder which maintains a steady clamping force even in case of a drop or lack of line pressure.**

**SAB Safety unit with double non-return valve Id. No. 27581620**



Page 326



Page 330

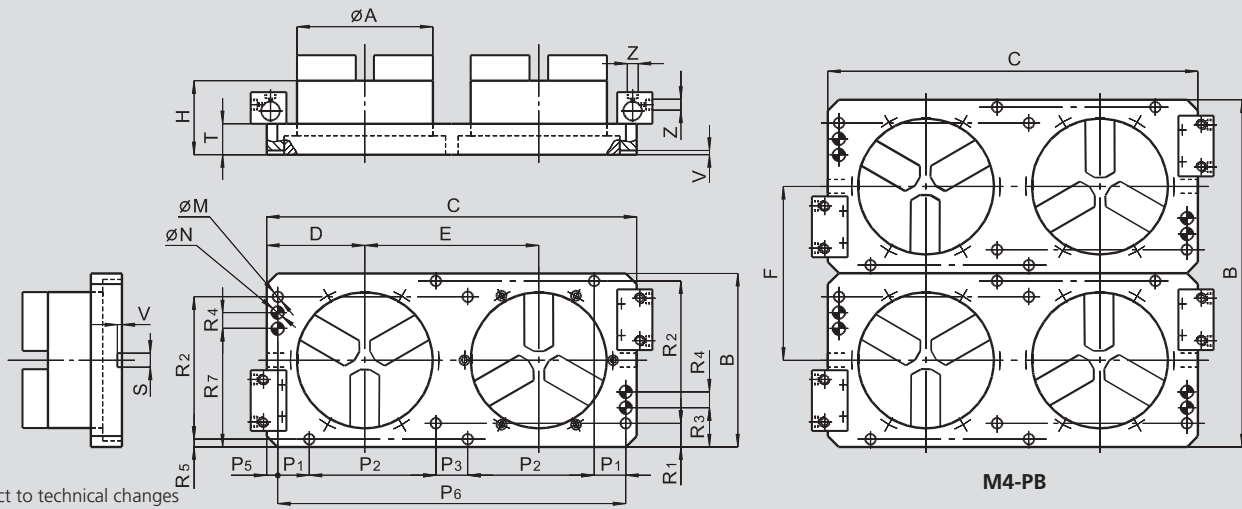
# Multiple chucks on fixture, pneumatic Ø 130 - 315 mm

- 2 or 3 jaws (PB-D/PB-M)
- 3 jaws (PB-C)

# M2-PB M4-PB

Multiple fixture  
with 2 chucks

Multiple fixture  
with 4 chucks



## M2-PB dimensions

SMW-AUTOBLOK Type	M2-PB 130	M2-PB 165	M2-PB 210	M2-PB 250	M2-PB 315	
Chuck diameter	<b>A</b> mm	135	170	215	260	315
	<b>B</b> mm	198	224	274	324	374
	<b>C</b> mm	400	460	585	660	780
	<b>D</b> mm	107.5	131	155	175	205
	<b>E</b> mm	185	223	275	310	370
	<b>H</b> mm	89	100	117	127	141
Fixing holes diameter	<b>M</b> mm	17	17	17	17	17
Reference pin holes	<b>N</b> H8 mm	20	20	20	20	20
	<b>P1</b> mm	-	50	50	50	50
	<b>P2</b> mm	150	150	200	250	300
	<b>P3</b> mm	50	50	50	-	-
	<b>P5</b> mm	25	17.5	17.5	30	40
	<b>P6</b> mm	350	460	550	600	700
	<b>R1</b> mm	24	37	37	37	37
	<b>R2</b> mm	150	175	225	275	325
	<b>R3</b> mm	24	62	62	62	62
	<b>R4</b> mm	-	25	25	25	25
	<b>R5</b> mm	24	12	12	12	12
	<b>R7</b> mm	174	137	187	237	287
	<b>S</b> mm	14	18	18	18	18
	<b>T</b> mm	39	44	49	54	54
	<b>V</b> mm	6	6	6	6	6
Pneumatic connections	<b>Z</b> inch	R1/4"	R1/4"	R1/4"	R1/4"	R1/4"

## M4-PB dimensions

SMW-AUTOBLOK Type	M4-PB 130	M4-PB 165	M4-PB 210	M4-PB 250	M4-PB 315	
Chuck diameter	<b>A</b> mm	135	170	215	260	315
	<b>B</b> mm	398	449	549	649	749
	<b>C</b> mm	400	460	585	660	780
	<b>D</b> mm	107.5	131	155	175	205
	<b>E</b> mm	185	223	275	310	370
	<b>F</b> mm	200	225	275	325	375
	<b>H</b> mm	89	100	117	127	141
Fixing holes diameter	<b>M</b> mm	17	17	17	17	17
Reference pin holes	<b>N</b> H8 mm	20	20	20	20	20
	<b>P1</b> mm	-	50	50	50	50
	<b>P2</b> mm	150	150	200	250	300
	<b>P3</b> mm	50	50	50	-	-
	<b>P5</b> mm	25	17.5	17.5	30	40
	<b>P6</b> mm	350	460	550	600	700
	<b>R1</b> mm	24	37	37	37	37
	<b>R2</b> mm	150	175	225	275	325
	<b>R3</b> mm	24	62	62	62	62
	<b>R4</b> mm	-	25	25	25	25
	<b>R5</b> mm	24	12	12	12	12
	<b>R7</b> mm	174	137	187	237	287
	<b>S</b> mm	14	18	18	18	18
	<b>T</b> mm	39	44	49	54	54
	<b>V</b> mm	6	6	6	6	6
Pneumatic connections	<b>Z</b> inch	R1/4"	R1/4"	R1/4"	R1/4"	R1/4"