

SMW-AUTOBLOK®

Gripping force tester GFT®-X

Wireless gripping force and speed measurement
of jaw chucks and collet chucks
in dynamic or static measuring mode

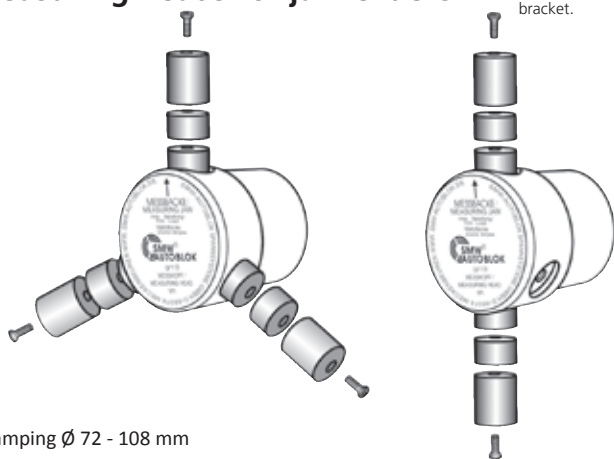


Measuring heads

M3/M4

Measuring heads for jaw chucks

⚠ Danger of injury:
For clamping measuring head
M3 / M4 always use loading
bracket.



clamping \varnothing 72 - 108 mm

Measuring head	Range/gripping force		
	3 jaws	2 jaws	6 jaws
M3	0 - 270 kN	0 - 180 kN	0 - 270 kN
M4	0 - 45 kN	0 - 30 kN	0 - 45 kN

M2

Measuring head
for collet chucks

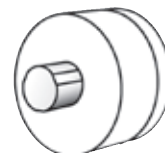


clamping \varnothing 42 mm

Measuring head	Range/ gripping force
M2	0 - 120 kN

M1

Measuring head
for collet chucks

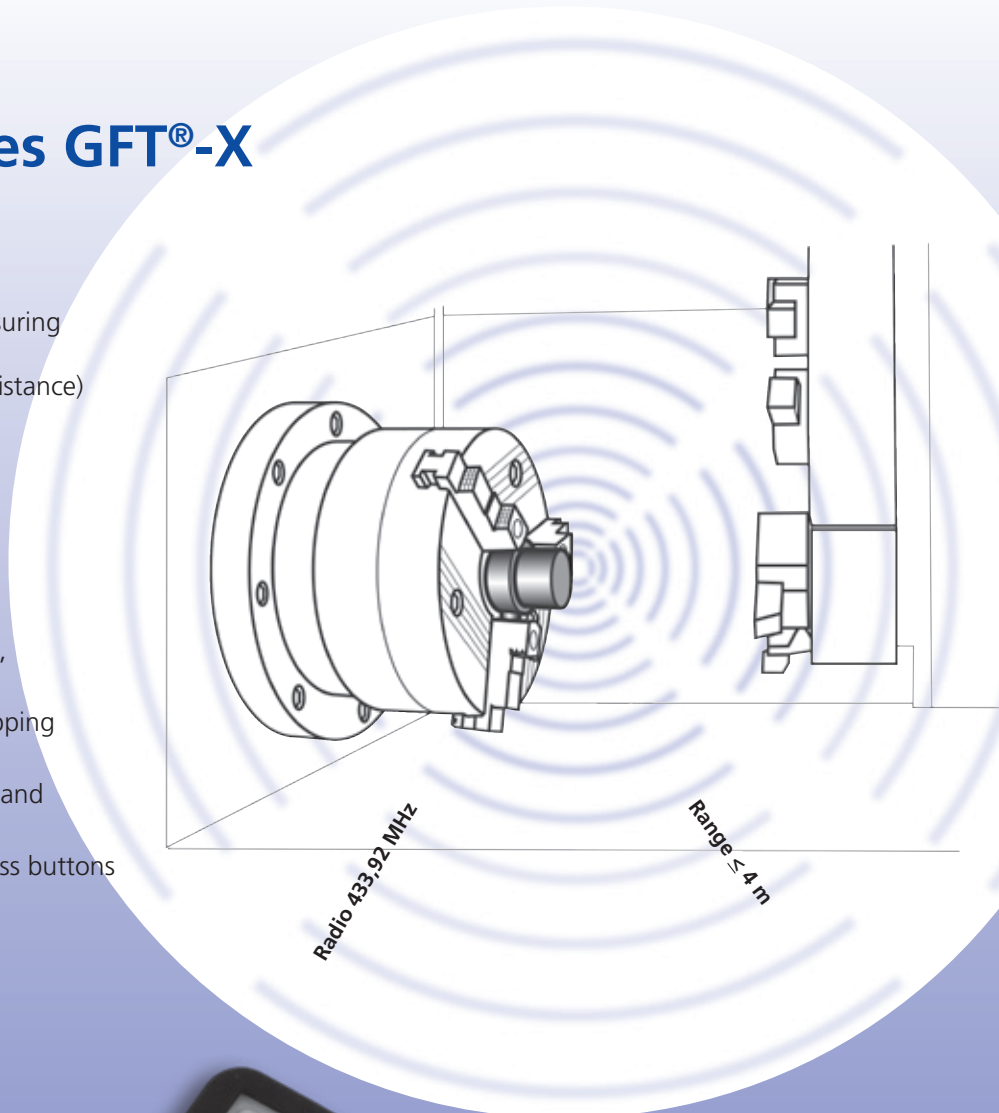


clamping \varnothing 18 mm

Measuring head	Range/ gripping force
M1	0 - 75 kN

Unique features GFT®-X

- Battery powered hand held unit
- Full color display
- Wireless data transfer from measuring head to hand held unit (Radio 433.92 MHz, up to 4 m distance)
- USB-Port
- Measuring is safe only with closed doors
- Driven menu
- Display kN or lbf
- Languages: German, English, Italian, Spanish, Japanese, Chinese, Russian
- Software CD for displaying a gripping force curve on the PC
- Measuring heads for jaw chucks and collet chucks (same as GFT)
- 4 free programmable speed access buttons



Update GFT-X
 online firmware update available
www.smw-autoblok.de

Full color display

4 free programmable speed access buttons

..... Plug to charge the measuring heads

..... USB port to charge the battery of the handheld unit and for date exchange

..... Key pad

..... Rubber protection



Gripping force tester GFT®-X

- Technical data
- Ordering review

Standard equipment with GFT-X

Case with:

- Hand-held unit
- Measuring head M3 for jaw chucks with extensions and loading bracket
- Torx-key T15 and spare screws
- Bracket with magnet for measuring of speed
- Transformer Euro plug with 2 m cable
- Adapter for USA, UK and Southern Europe
- GFT®-X Software and manual on a CD
- USB cable
- Charging cable for measuring heads 1 m

Ordering data

GFT®-X case incl. measuring head M3 Id. No. 201542

Option

Measuring head M1 (for collet chucks) Id. No. 196193
 Measuring head M2 (for collet chucks) Id. No. 196194
 Measuring head M4 (2 or 3 jaws) Id. No. 201825
 Measuring head M3 (6 jaws) Id. No. 202115
 Measuring head M4 (6 jaws) Id. No. 202116

Display software PC/ Laptop

- The data transfer is via an USB interface.
- The software can be run under all standard windows systems.

Input

- Automatic measuring of the data (gripping force - speed)
- The number of measuring steps can be programmed free.

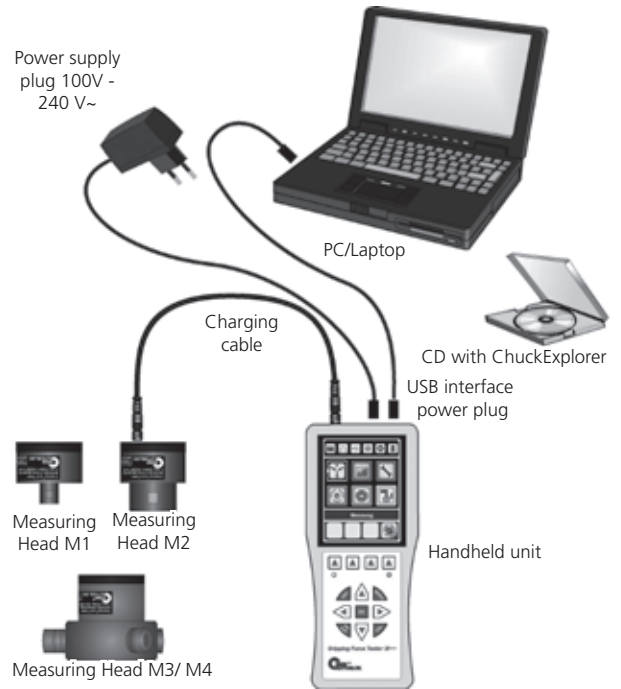
Output

- Table speed/gripping force
- Diagram speed/gripping force

Technical data

Reading unit	
Display/ Grip force F – speed	Display in kN/lbf - rpm
Data transfer	Radio 433,92 MHz
Power supply/ Transformer	100/ 240 V AC, 50 to 60 Hz
Distance hand held unit/ Measuring head	1-4 m (appr.)
Interface PC/ Laptop	USB 2.0
Operating temp.	0 to 40° (32°C-100 °F)
Protection class	IP 54
Dimensions	220 x 100 x 50 mm
Weight	460 g

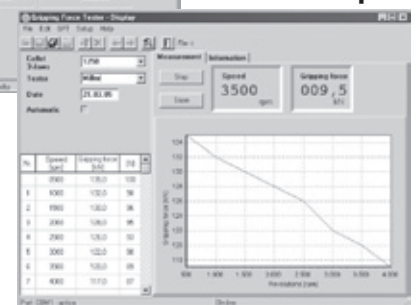
Measuring heads				
	Measuring head M1	Measuring head M2	Measuring head M3	Measuring head M4
Application	collet Ø 18	collet Ø 42	chuck 2/3/6 jaws	
Clamping diameter	18 mm	42 mm	72 to 108 mm	72 to 108 mm
No. of jaws	collet 3 x slotted	collet 3 x slotted	2 or 3 jaws / 6 jaws	2 or 3 jaws / 6 jaws
Power supply	internal rechargeable capacitor			
Capacity of power supply	ca. 1.5 h at 50 % d.c.			
Data transfer	Radio 433,92 MHz			
Range/gripping force F max.	0 to 75 kN	0 to 120 kN	0 to 180 kN (2-Jaws) 0 to 270 kN (3/6-Jaws)	0 to 30 kN (2-Jaws) 0 to 45 kN (3/6-Jaws)
Speed rpm	<10.000 rpm	<8.000 rpm	<6.000 rpm	<6.000 rpm
Accuracy (F/rpm)	<5 %/<1 % fsr	<5 %/<1 % fsr	<3 %/<1 % fsr	<1,5 %/<1 % fsr



Input



Output



Warning: Machine door must be closed while measuring head is rotating!