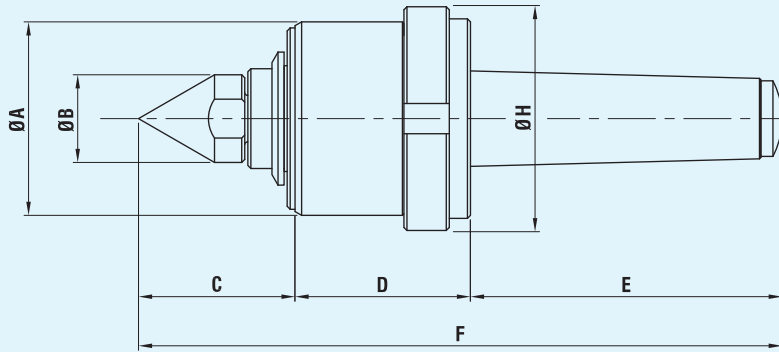


同心度 / CONCENTRICITY 0.010



| 代码 Code | 莫氏锥度 Morse Taper | 尺寸 mm (英寸) / Dimensions in mm (inch) | | | | | | |
|------------|---------------------|--------------------------------------|------------|------------|--------------|--------------|----------------|------------|
| | | Ø A | Ø B | C | D | E | F | Ø H |
| 010100103 | CM3 / MT3 | 56 (2.205) | 24 (0.945) | 47 (1.850) | 53 (2.087) | 85.5 (3.366) | 185.5 (7.303) | 66 (2.598) |
| 010100104 | CM4 / MT4 | 64 (2.520) | 29 (1.142) | 52 (2.047) | 58 (2.283) | 103 (4.055) | 213 (8.386) | 74 (2.913) |
| 010100105 | CM5 / MT5 | 78 (3.071) | 34 (1.339) | 58 (2.283) | 64.5 (2.539) | 136 (5.354) | 258.5 (10.177) | 87 (3.425) |

可互换顶尖

INTERCHANGEABLE CENTERS

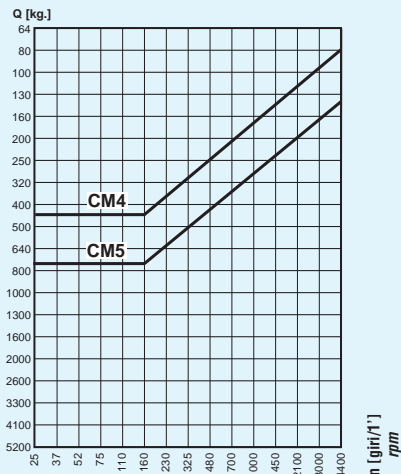
有关尺寸特性，请参见第 12-13 页

FOR THE DIMENSIONAL FEATURES SEE PAGES 12-13

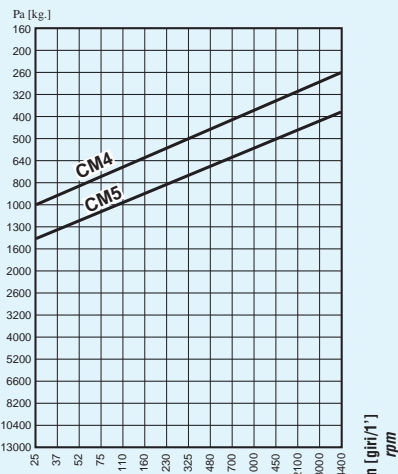
| | FR94 | FR95 | FR96 | FR97 Ø7 | FR97 Ø15 | FR98 | FR98-A | FR99 |
|-----------|-------------|-----------|-----------|-----------|-----------|-----------|-----------|-----------|
| | - 代码 / Code | | | | | | | |
| CM3 / MT3 | 030315103 | 030316103 | 030317103 | 030318103 | 030318113 | 030319103 | 030319113 | 030320103 |
| CM4 / MT4 | 030315204 | 030316204 | 030317204 | 030318204 | 030318214 | 030319204 | 030319214 | 030320204 |
| CM5 / MT5 | 030315305 | 030316305 | 030317305 | 030318305 | 030318315 | 030319305 | 030319315 | 030320305 |



径向负荷 (工件重量) (Kg)
Radial Load (Workpiece weight) in Kg



轴向负荷 (Kg)
Axial Load in Kg

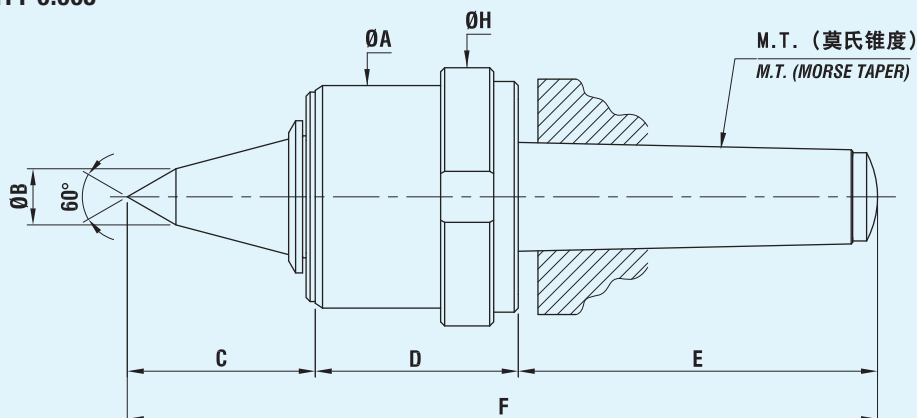


显示值。有关进一步详情，请联系我们的技术室。

INDICATIVE VALUES. For further and more detailed information, contact our technical office.

FRB LIVE CENTERS FOR TURNING
WITH EXTENDED INTEGRAL SHAFT - “2000 SERIES” - ECOLINE

同心度 / CONCENTRICITY 0.005

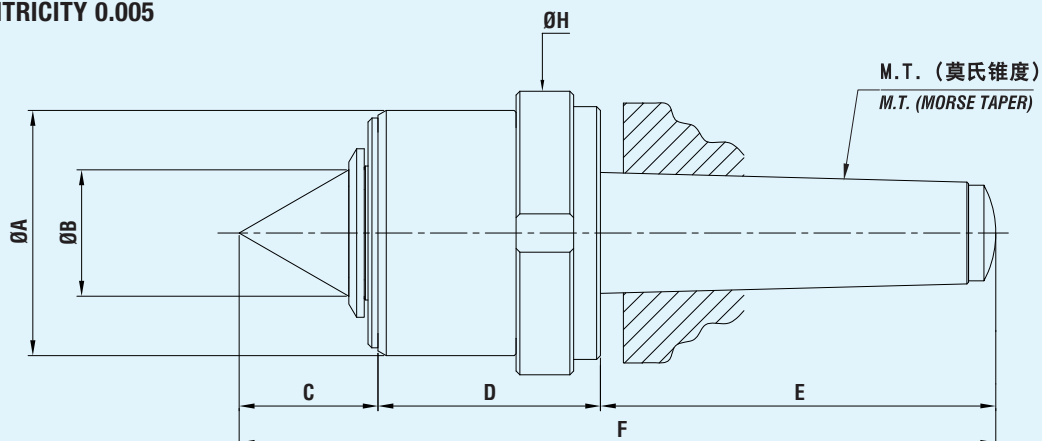


| 代码 Code | 莫氏锥度 Morse Taper | 尺寸 mm (英寸) / Dimensions in mm (inch) | | | | | | | |
|------------|---------------------|--------------------------------------|------------|------------|--------------|--------------|----------------|------------|--|
| | | Ø A | Ø B | C | D | E | F | Ø H | |
| 010100113 | CM3 / MT3 | 56 (2.205) | 14 (0.551) | 47 (1.850) | 53 (2.087) | 85.5 (3.366) | 185.5 (7.303) | 66 (2.598) | |
| 010100114 | CM4 / MT4 | 64 (2.520) | 16 (0.630) | 53 (2.087) | 58 (2.283) | 103 (4.055) | 214 (8.429) | 74 (2.913) | |
| 010100115 | CM5 / MT5 | 78 (3.071) | 16 (0.630) | 66 (2.598) | 64.5 (2.539) | 136 (5.354) | 266.5 (10.492) | 87 (3.425) | |

含整体轴的车削FRB活顶尖 - 2000系列” - ECOLINE

FRB LIVE CENTERS FOR TURNING
WITH INTEGRAL SHAFT - “2000 SERIES” - ECOLINE

同心度 / CONCENTRICITY 0.005



| 代码 Code | 莫氏锥度 Morse Taper | 尺寸 mm (英寸) / Dimensions in mm (inch) | | | | | | | |
|------------|---------------------|--------------------------------------|------------|------------|--------------|--------------|-------------|------------|--|
| | | Ø A | Ø B | C | D | E | F | Ø H | |
| 010100123 | CM3 / MT3 | 56 (2.205) | 29 (1.142) | 32 (1.260) | 53 (2.087) | 85.5 (3.366) | 171 (6.732) | 66 (2.598) | |
| 010100124 | CM4 / MT4 | 64 (2.520) | 33 (1.299) | 36 (1.417) | 58 (2.283) | 103 (4.055) | 197 (7.760) | 74 (2.913) | |
| 010100125 | CM5 / MT5 | 78 (3.071) | 36 (1.417) | 47 (1.850) | 64.5 (2.539) | 136 (5.354) | 247 (9.724) | 87 (3.425) | |