

技术特性：

针对齿轮切削机的特殊加工特性，设计了“82 系列”活顶尖。滚刀的中断切削要求活顶尖极具刚性（这就是它配有滚针轴承的原因），而且它的旋转速度不能太高。

这些活顶尖的一个更为重要的特性是其本体尺寸减小了，以便滚刀从齿轮进出。为增加活顶尖的刚度，其轴由工具钢制成并经穿透淬火。

维护：

拆下螺钉①，取出轴。

然后修理轴或用其中一个可互换轴更换轴。

如果活顶尖标准不适用那些需要的活顶尖，请用需要的尺寸完成下图。所有活顶尖均经油脂润滑。

TECHNICAL FEATURES:

"82 Serie" live centers have been designed considering the specific machining features of the gear cutting machines. Interrupted cut of hobs requires the live center is extremely rigid (that is why it has been assembled with needle bearings) and it has not to reach high rotational speed.

One more important feature of these live centers is the reduced dimensions of their body in order to let the hob gets in and out from the gear. To increase rigidity of the live center, its shaft is manufactured of tool steel and through hardened.

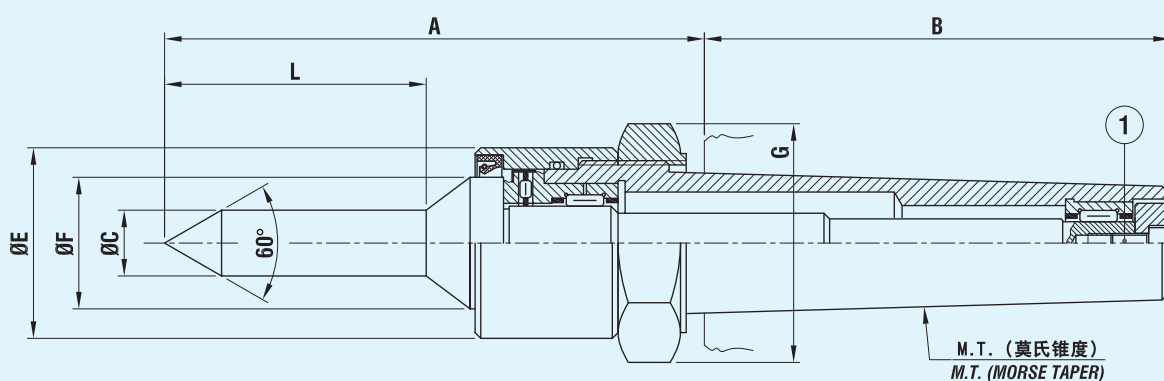
Maintenance:

Remove the screw ① and extract the shaft.

Then the shaft can be repaired or replaced by one of the interchangeable shafts.

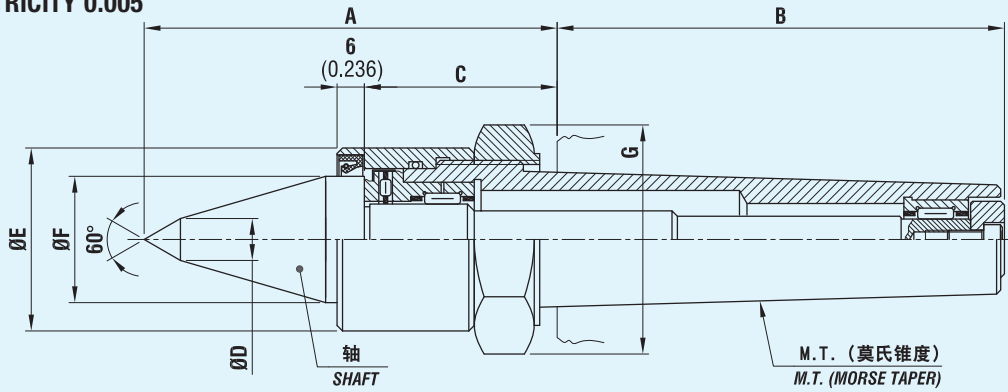
If live centres standard are not those ones required, please complete the drawing below with needed dimensions.

All live centers are grease lubricated.



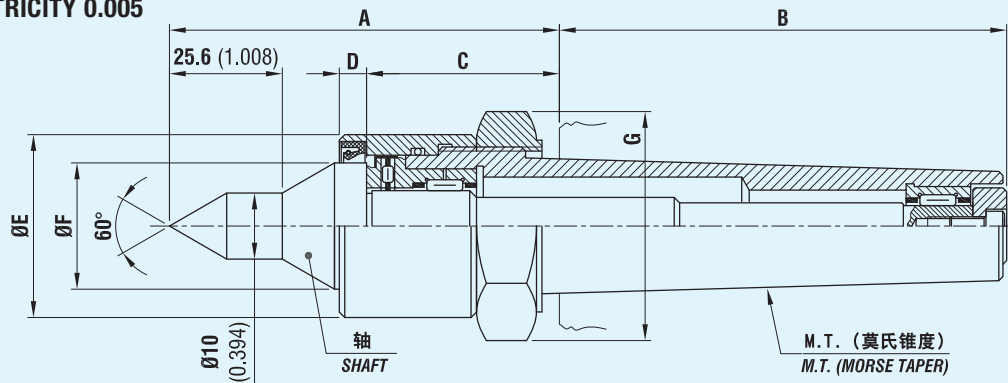
莫氏锥度 Morse Taper	尺寸 mm (英寸) / Dimensions in mm (inch)						
	A	B			Ø E	Ø F	G
CM3 / MT3		84.2 (3.315)			42 (1.654)	29 (1.142)	46 (1.811)
CM4 / MT4		102.7 (4.043)			42 (1.654)	29 (1.142)	46 (1.811)
CM5 / MT5		129.5 (5.098)			62 (2.441)	45 (1.772)	68 (2.677)

同心度 / CONCENTRICITY 0.005



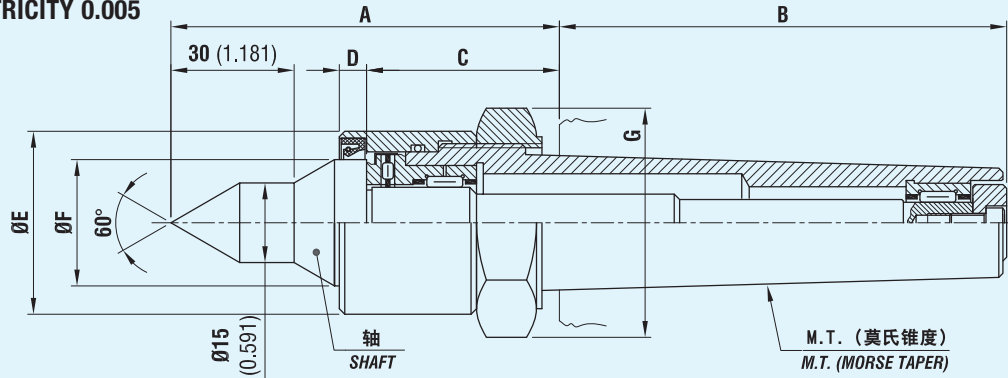
代码 Code	莫氏锥度 Morse Taper	尺寸 mm (英寸) / Dimensions in mm (inch)							
		A	B	C	ØD	ØE	ØF	G	
010182036	CM3 / MT3	93 (3.661)	84.2 (3.315)	43 (1.693)	12 (0.472)	42 (1.654)	29 (1.142)	46 (1.811)	
010182046	CM4 / MT4	94.5 (3.720)	102.7 (4.043)	44.5 (1.752)	12 (0.472)	42 (1.654)	29 (1.142)	46 (1.811)	
010182056	CM5 / MT5	128.5 (5.059)	129.5 (5.098)	51.5 (2.028)	15 (0.591)	62 (2.441)	45 (1.772)	68 (2.677)	

同心度 / CONCENTRICITY 0.005



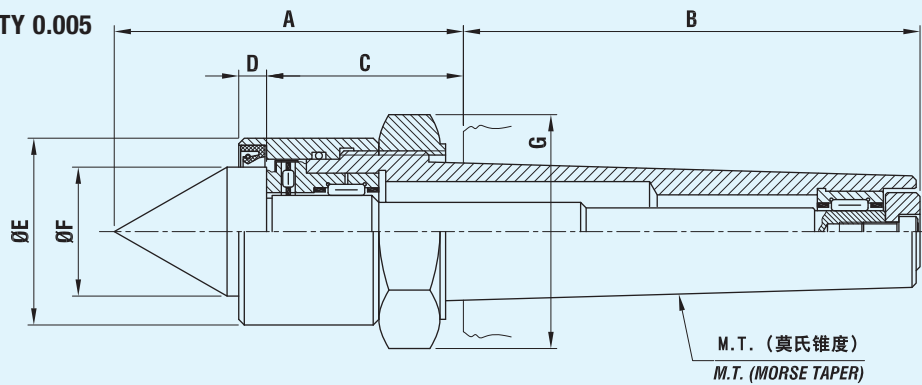
代码 Code	莫氏锥度 Morse Taper	尺寸 mm (英寸) / Dimensions in mm (inch)							
		A	B	C	D	ØE	ØF	G	
010182034	CM3 / MT3	93 (3.661)	84.2 (3.315)	43 (1.693)	6 (0.236)	42 (1.654)	29 (1.142)	46 (1.811)	
010182044	CM4 / MT4	94.5 (3.720)	102.7 (4.043)	44.5 (1.752)	6 (0.236)	42 (1.654)	29 (1.142)	46 (1.811)	
010182054	CM5 / MT5	115.5 (4.547)	129.5 (5.098)	51.5 (2.028)	6 (0.236)	62 (2.441)	45 (1.772)	68 (2.677)	

同心度 / CONCENTRICITY 0.005



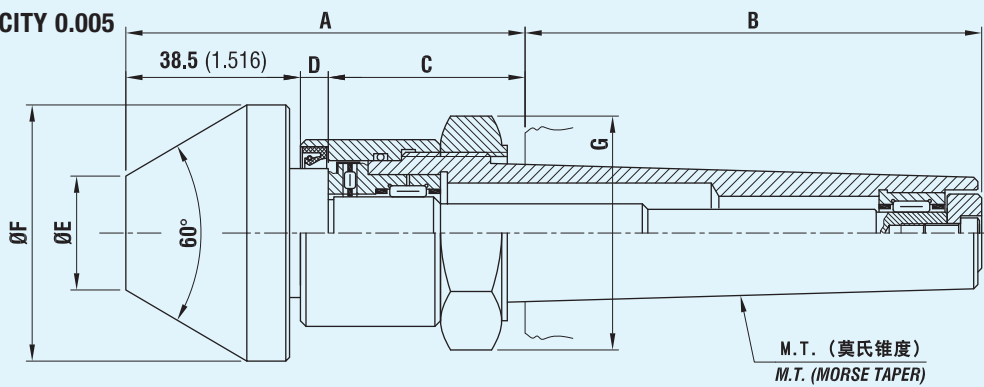
代码 Code	莫氏锥度 Morse Taper	尺寸 mm (英寸) / Dimensions in mm (inch)							
		A	B	C	D	ØE	ØF	G	
010182035	CM3 / MT3	93 (3.661)	84.2 (3.315)	43 (1.693)	6 (0.236)	42 (1.654)	29 (1.142)	46 (1.811)	
010182045	CM4 / MT4	94.5 (3.720)	102.7 (4.043)	44.5 (1.752)	6 (0.236)	42 (1.654)	29 (1.142)	46 (1.811)	
010182055	CM5 / MT5	115.5 (4.547)	129.5 (5.098)	51.5 (2.028)	6 (0.236)	62 (2.441)	45 (1.772)	68 (2.677)	

同心度 / CONCENTRICITY 0.005

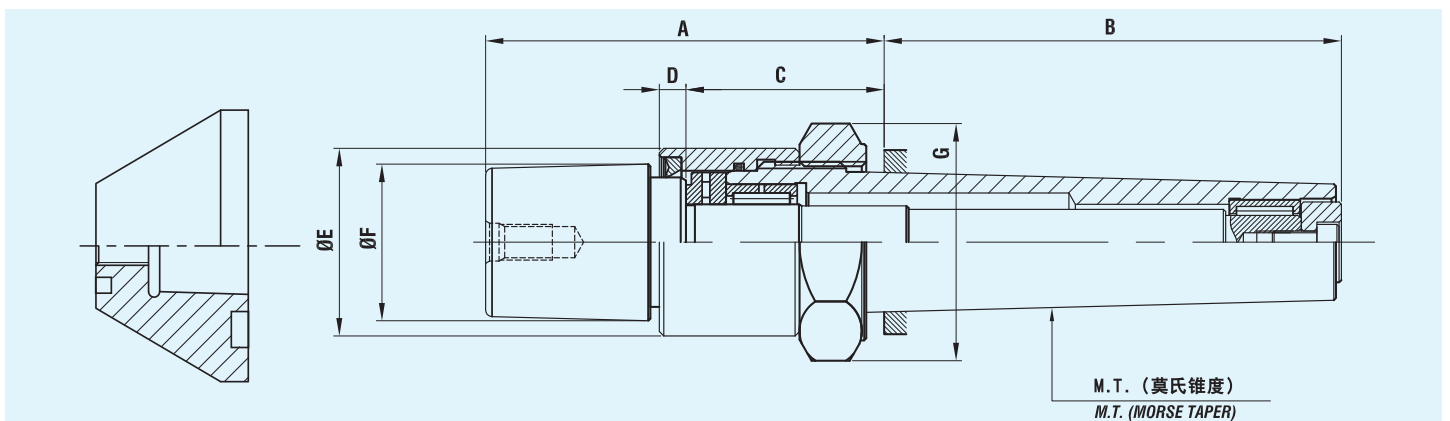


代码 Code	莫氏锥度 Morse Taper	尺寸 mm (英寸) / Dimensions in mm (inch)								
		A	B	C	D	ØE	ØF	G		
010182031	CM3 / MT3	77 (3.031)	84.2 (3.315)	43 (1.693)	6 (0.236)	42 (1.654)	29 (1.142)	46 (1.811)		
010182041	CM4 / MT4	78.5 (3.091)	102.7 (4.043)	44.5 (1.752)	6 (0.236)	42 (1.654)	29 (1.142)	46 (1.811)		
010182051	CM5 / MT5	98.5 (3.878)	129.5 (5.098)	51.5 (2.028)	6 (0.236)	62 (2.441)	45 (1.772)	68 (2.677)		

同心度 / CONCENTRICITY 0.005



代码 Code	莫氏锥度 Morse Taper	尺寸 mm (英寸) / Dimensions in mm (inch)								
		A	B	C	D	ØE	ØF	G		
010182037	CM3 / MT3	87.5 (3.445)	84.2 (3.315)	43 (1.693)	6 (0.236)	25 (0.984)	58 (2.283)	46 (1.811)		
010182047	CM4 / MT4	89 (3.504)	102.7 (4.043)	44.5 (1.752)	6 (0.236)	25 (0.984)	58 (2.283)	46 (1.811)		
010182057	CM5 / MT5	96 (3.780)	129.5 (5.098)	51.5 (2.028)	6 (0.236)	35 (1.378)	68 (2.677)	68 (2.677)		



请参见第 15 页的加工头

See heads on page 15

代码 Code	莫氏锥度 Morse Taper	尺寸 mm (英寸) / Dimensions in mm (inch)								
		A	B	C	D	ØE	ØF	G		
010182033	CM3 / MT3	88 (3.465)	84.2 (3.315)	43 (1.693)	6 (0.236)	42 (1.654)	35 (1.378)	46 (1.811)		
010182043	CM4 / MT4	89.5 (3.524)	102.7 (4.043)	44.5 (1.752)	6 (0.236)	42 (1.654)	35 (1.378)	46 (1.811)		
010182053	CM5 / MT5	100.5 (3.957)	129.5 (5.098)	51.5 (2.028)	6 (0.236)	63 (2.480)	35 (1.378)	68 (2.677)		