

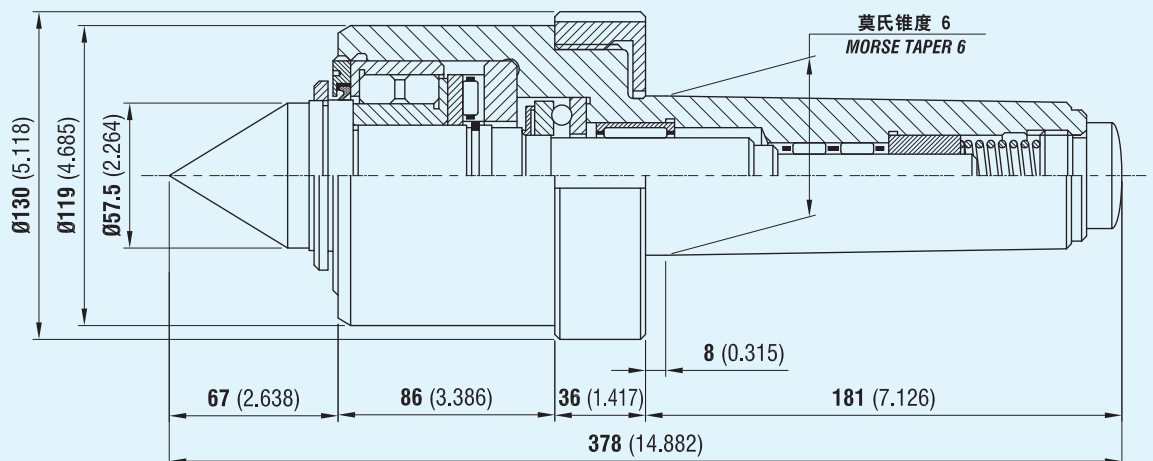
## 含轴向负荷分布和整体轴的轴车削增强型 “FRB” 活顶尖 MT6



### REINFORCED “FRB” LIVE CENTER MT6 WITH AXIAL LOAD DISTRIBUTION AND INTEGRAL SHAFT FOR TURNING OF SHAFTS

“86 系列”  
“86 SERIES”

同心度 / CONCENTRICITY 0.010



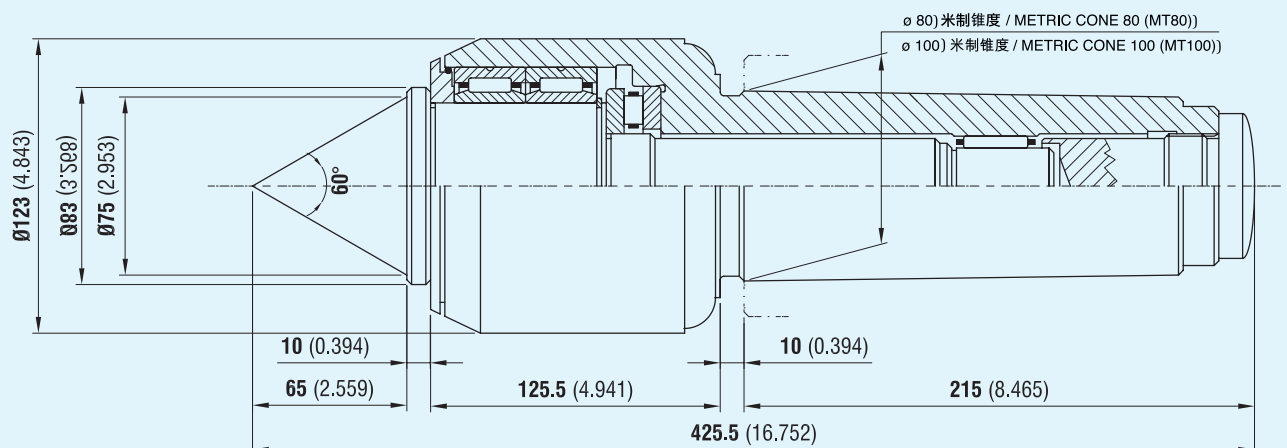
代码 Code	莫氏锥度 Morse Taper	最大轴向负荷 Max axial load Kg/Lb	最大径向负荷 (工件重量) Max radial load (Workpiece weight) Kg/Lb	最高速度 Max speed r.p.m.
010186161	CM6 / MT6	10.800/23.809.52	7.000/15.432.10	1000

## 不含拔取螺母、含整体轴的轴车削 “FRB” 活顶尖 MT80 和 MT100

### “FRB” LIVE CENTER MT80 AND MT100 WITHOUT EXTRACTION NUT, WITH INTEGRAL SHAFT FOR TURNING OF SHAFTS

“87 系列”  
“87 SERIES”

同心度 / CONCENTRICITY 0.010



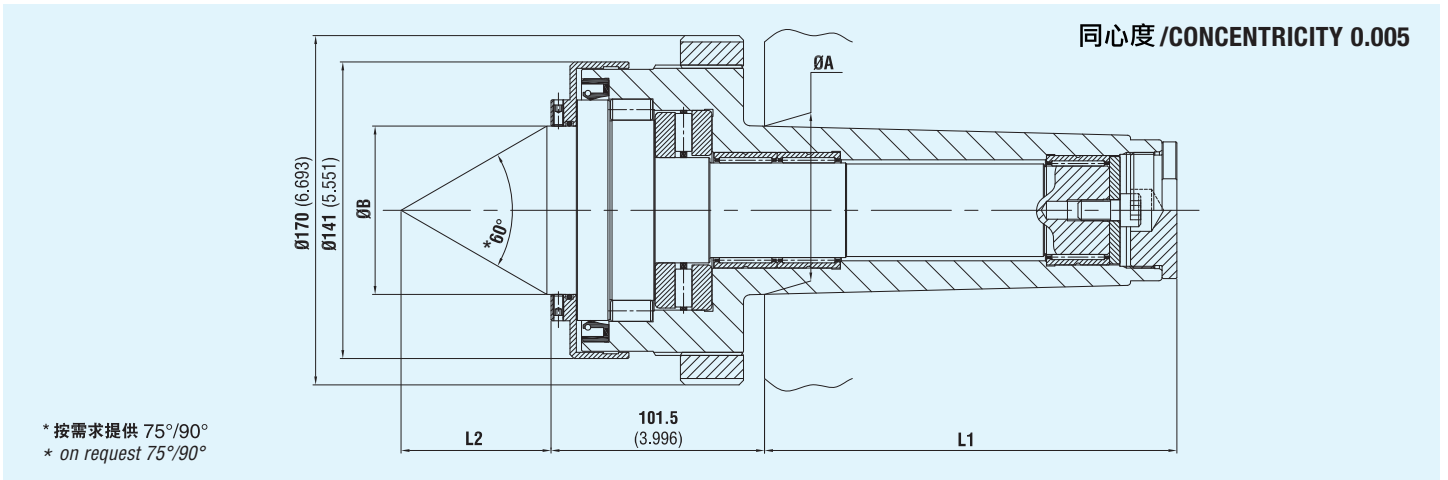
代码 Code	莫氏锥度 Morse Taper	最大轴向负荷 Max axial load Kg/Lb	最大径向负荷 (工件重量) Max radial load (Workpiece weight) Kg/Lb	最高速度 Max speed r.p.m.
010187161	METRICO 80 / MT80	12.000/26.455.03	18.000/39.682.54	800
010187162	METRICO 100 / MT100	12.000/26.455.03	18.000/39.682.54	800

# 含满滚子和整体轴的轴车削及磨削“FRB”活顶尖



“FRB” LIVE CENTER WITH FULL FILLING ROLLERS AND INTEGRAL SHAFT FOR TURNING AND GRINDING OF SHAFTS

“88 系列”  
“88 SERIES”

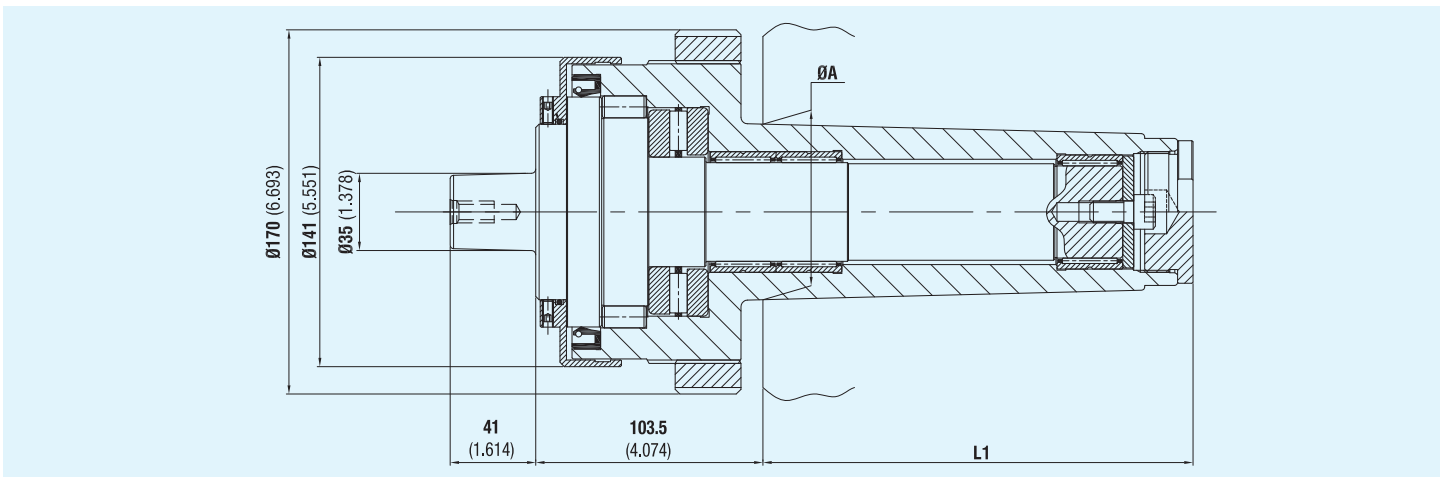


代码 Code	莫氏锥度 Morse Taper	尺寸 mm (英寸) / Dimensions in mm (inch)				最大轴向负荷 Max axial load Kg/Lb	最大径向负荷 (工件重量) Max radial load (Workpiece weight) Kg/Lb	最高速度 Max speed r.p.m.
		A	Ø B	L1	L2			
010921104	CM6/MT6	63.348 (2.494)	60 (2.362)	185 (7.283)	54 (2.126)	12.000/26,455.03	9.000/19,841.27	500
010921105	CM7/MT7	83.061 (3.270)	80 (3.150)	232 (9.134)	71.3 (2.807)	12.000/26,455.03	16.000/35,273.37	500
010921106	M80/MT80	80 (3.150)	80 (3.150)	196 (7.717)	71.3 (2.807)	12.000/26,455.03	16.000/35,273.37	500
010921107	M100/MT100	100 (3.937)	80 (3.150)	232 (9.134)	71.3 (2.807)	12.000/26,455.03	16.000/35,273.37	500
010921108	M120/MT120	120 (4.724)	80 (3.150)	247 (9.724)	70 (2.756)	12.000/26,455.03	16.000/35,273.37	500
010921109	M160/MT160					图案 / On request		

# 含满滚子和承载整体轴的加工头的管道车削及磨削“FRB”活顶尖

“FRB” LIVE CENTER WITH FULL FILLING ROLLERS AND HEAD CARRYING INTEGRAL SHAFT FOR TURNING AND GRINDING OF PIPES

“88 系列”  
“88 SERIES”



代码 Code	莫氏锥度 Morse Taper	尺寸 mm (英寸) / Dimensions in mm (inch)		最大轴向负荷 Max axial load Kg/Lb	最大径向负荷 (工件重量) Max radial load (Workpiece weight) Kg/Lb	最高速度 Max speed r.p.m.
		A	L1			
010922104	CM6/MT6	63.348 (2.494)	185 (7.283)	12.000/26,455.03	9.000/19,841.27	500
010922105	CM7/MT7	83.061 (3.270)	232 (9.134)	12.000/26,455.03	16.000/35,273.37	500
010922106	M80/MT80	80 (3.150)	196 (7.717)	12.000/26,455.03	16.000/35,273.37	500
010922107	M100/MT100	100 (3.937)	232 (9.134)	12.000/26,455.03	16.000/35,273.37	500
010922108	M120/MT120	120 (4.724)	247 (9.724)	12.000/26,455.03	16.000/35,273.37	500

请参见第 15 页的加工头

See heads on page 15